

Welcome to the world of
SMC GROUP.



ITALIAN KITCHENS
ITALIAN BATHROOMS
FLOORING
ITALIAN WARDROBES
ITALIAN DOORS
LIGHTING AND FANS
HARDWARE
ALUMINIUM MANUFACTURING

smc home
improvement
centre
group



SMC GROUP

Home improvement center

The SMC Group was established in 1971 as Shahid Mahmood & Co, with the objective of becoming the leading source for exclusive products and innovative solutions. With our head office conveniently situated at E-110, Main Boulevard, D.H.A. and with our own production and industrial facilities; SMC Aluminium Co. (PVT) Ltd on Sheikupura road and SMC Manufacturing Co. (PVT) Ltd on Raiwand road, in Lahore, as well as SMC Group and SMC Aluminium retail outlets in multiple cities across the country, we are proud to be the best at what we do.

Cultured to the ideal of hard work, honesty and trust, unparalleled customer service and chic products at competitive prices, the corporation has been built on forty years of excellence.

A standard for aesthetics, quality and attention to detail, SMC promises innovation with over 40,000 exquisite products and solutions at your convenience at any given time. With multiple outlets, a highly efficient team and an expertly organized warehouse maintained over 3 acres and 100,000 square feet covered area, we preserve our principles of delivering on time and lead the way in giving you the best brands and accouterments for kitchens, bathrooms, flooring, doors and wardrobes as well as hardware, lighting, fans and aluminium products, all under one roof.

Our state of the art manufacturing plant incorporates a fully automated extrusion press technology to allow for high quality products from raw material to finished product with a continuous production system and a monthly capacity to produce up to 450 tons, along with German rectifiers in the anodizing plant to minimize the consumption of time and resources and allow for excellent production quality and output.



The world of SMC GROUP

- Italian Kitchens
- Italian Bathrooms
- Flooring
- Italian Wardrobes
- Italian Doors
- Lighting and Fans
- Hardware
- Aluminium Manufacturing



SMC full circle services

- Home survey
- Smart design
- Personalisation
- Made-to-order
- Installation
- Warranty
- Smart care

The complete Categorization of SMC GROUP



ITALIAN KITCHENS

07

Kitchens	08
Appliances	11
Organizers and accessories	15

ITALIAN BATHROOMS

16

Bathroom tiles	17
Sanitary ware and fitting	19

Lasting impressions

We believe that the kitchen is the heart of any home, a place of warmth and familiarity, a place to entertain company and families to bond and celebrate. Combining art and convenience, SMC provides Italian kitchen designs and appliances that complement your style and fulfill your every need. The attention we pay in detailing your dream kitchen will charm guests and win your heart over and over. By considering your interest in getting the best value for the best quality, our range of exclusive Italian brands Smeg and Barazza combined with more economical options to diversify your range with top brands Apell and environment friendly Range-Hoods by Falmac that purify and clean the air, will furnish your every need and the extras you want!

Rejuvenate and cleanse.

Our concept of bathroom goes beyond the conventional, we invite you to indulge in lavishness and pamper yourself in the privacy and luxury of your own sanctuary. With a fine selection of tiles and world-class brands Versache, Gardenia Orchid, Cerdomus and Supergres, our bathrooms are expressly designed keeping your partiality in mind, may it be preparation, recreation, rejuvenation or relaxation. Introducing the best sanitary ware and exclusive fittings, we aim to enrich your life with a range of amenities that fulfill your every need from faucets and thermostats, showers and shower systems, sanitary systems and faucets for public usage to an array of washbasins, WCs, urinals and bidets.



FLOORING	23	ITALIAN WARDROBES	31	ITALIAN DOORS	35
Porcelain and out door tiles	24	Swing door wardrobes	32	Italian doors	36
Laminated wooden flooring	28	Sliding wardrobes	33		
Solid wooden flooring	29	Walkin wardrobes	34		
Parquet wooden flooring	30				

Stand to sustain.

It is our responsibility to sustain resources and employ the beauty and wealth bestowed upon us to make a bright future possible. Keeping this belief in mind, we partner with world class brands that embrace the principles of sustainability and translate those benefits to bring the best into your lifestyle.

Be it the cool touch of porcelain tiles or the tread of wooden, solid wood, laminated or parquet flooring, our custom selections are crafted to fit and fill your space with smart and trendy styles, designs and accessories.

You own your space.

Your memories and possessions the new dress, those boots, the comfy sweater or your favorite tees, your space is primary to the person you are and your personality and preferences are what we reflect in our fine Italian wardrobe designs and accessories.

Make a selection as you prefer or make use of our resourceful in-house design service to make your storage space meaningful. Big or small, our Swing-Door, Walk-In and Sliding wardrobes are the fusion of modern technology and expert craftsmanship. We offer the most articulate designs and styles you can find. With countless features, colors and accessories to complement every aspect of your person, our select line makes your space count.

Gateway to your world.

The inception of our Modern Collection attests to the beauty and grace that our custom Italian doors bring to your home.

The expertise and craft, research and technology combined to develop the finest line of Italian doors with unique designs, stylish texture components, glass options and material applications that will enhance the aesthetics of your setting.



LIGHTING AND FANS		37	HARDWARE		42	ALUMINIUM WINDOWS		51
Chandeliers	38	Door locks and handles	43	Aluminium windows	52			
Ceiling lights	39	Hinges	47	Aluminium profiles	53			
LED lighting solutions	40	Furniture fittings	48	Aluminium composite panels	54			
Ceiling fans	41	Glass fittings	50					

Call for comfort.

The familiarity and warmth, the air you feel about your home is the form of expression we put in art for you.

We pride ourselves for the trust we have built with our loyal patrons and you can depend on us to provide the best. With innovations engaged in bringing you the key to adapt the setting to your mood, the brands we offer come with the assurance of perfect functionality, performance and reliability. What feels perfect is where we come in, our exquisite collection of lighting and fans are your passage to the perfect setting.

All about you.

Things that last are the things that matter, the detail and love put in the finishing touch should stand out and endure the test of time and use.

The time, cost and consideration you devote in selecting the right fit, whether it be door locks, handles, hinges, furniture or glass fittings, is why our selection will leave no doubt as to what your final choices will be. With high functionality, security and convenience served in smart, modern and elegant designs, our brands come with the quality assurance that we promise to deliver.

Made to innovation.

Ease, accessibility, grace and durability come with our claim of reliability. We provide self-manufactured aluminium products that add charisma to your home.

With one of the largest and most efficient manufacturing units equipped with anodizing and excursion facilities, we produce the most excellent, high-quality material. Our aluminium sections, doors and windows are made to fit in slim and trendy designs, a touch of perfection to the beauty of your home.



Lasting impressions.

We believe that the kitchen is the heart of any home a place of warmth and familiarity, a place to entertain company and families to bond and celebrate. Combining art and convenience, SMC provides Italian kitchen designs and appliances that complement your style and fulfill your every need. The attention we pay in detailing your dream kitchen will charm guests and win your heart over and over.

By considering you interest in getting the best value for the best quality, our range of exclusive Italian brands Smeg and Barazza combined with more economical options to diversify your range with top brands Apell and environment friendly Range-Hoods by Falmac that purify and clean the air, will furnish your every need and the extras you want!



Finest selection of custom kitchens

Our own Signature collection

Our own Signature Collection comes with the added advantage of professional designers with over 20 years of expertise and precision in the field. Pick and choose from the unique collection of ready-made Italian kitchens we offer;

The Premium Range: Distinct and innovative products presented with a deeply unique design perspective and quality, the best may be pricey but it comes with the promise of priceless pleasure.

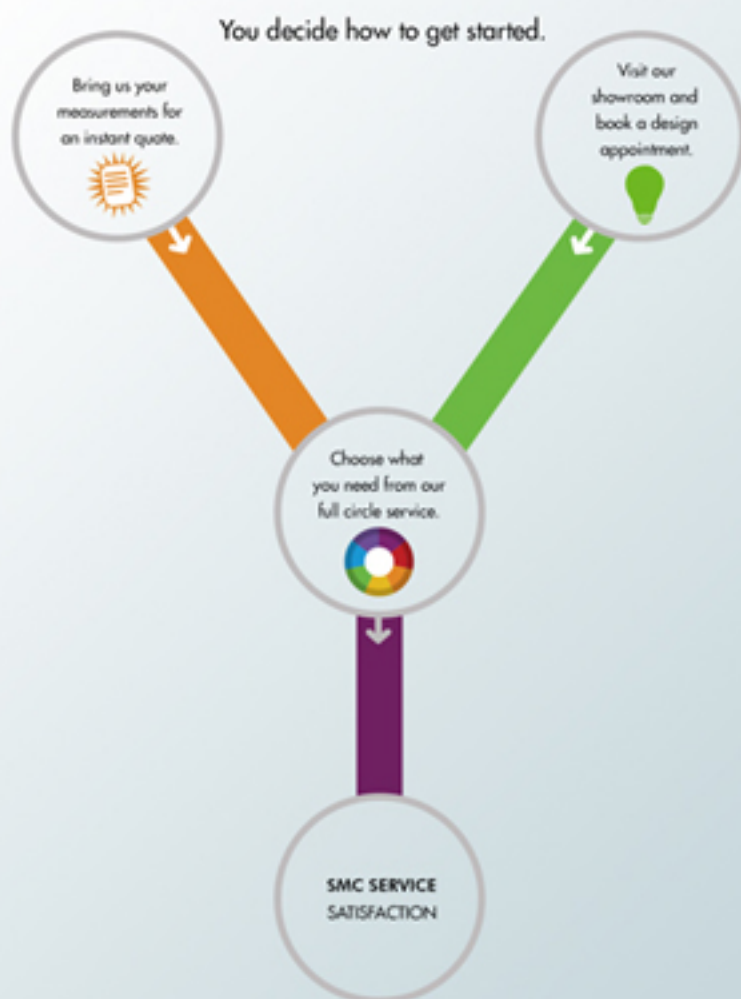
The Luxury Range: Pleasure, comfort and the ideal way of experiencing extravagance, the reflection of luxury and ideality in living, indulge your senses in perfection and exceptional quality.

The Exclusive Range: An utterly unique line of special edition designs and accessories available for limited time only, a select range for you to realize your dream kitchen.

The Contemporary Range: Minimalism delivered with elegance and stunning attention to detail, this range is the standard for modern design and style.

The Urban Range: Practicality and diversity of life in the city considered, this line covers all aspects of living with finesse and quality that promise to be the most economical solution your needs.

Famed for guaranteed satisfaction with our 'Full Circle Services' and line of ready-made kitchens, we provide choice selections from a chic range of Hobs, Ovens, Hoods, Sinks, Bowls, Taps, equipped complements and accessories down to the detail of dovetail joints in our wooden trays, the elegance and ease of our smooth-close doors to the convenience of pull-swing corner units that make your kitchen stand out and impress.



VISIT OUR SHOWROOM AND BOOK A DESIGN APPOINTMENT

Browse around our showroom at your leisure and talk through the kind of kitchen you're looking for with one of our expert designers. Then to take things further, book an appointment there and then for our designer to visit your home.



BRING YOUR MEASUREMENTS IN STORE FOR AN INSTANT QUOTE

If you're ready to get started, so are we. Based on your measurements, one of our designers will be able to give you a fairly accurate quote for any kitchen you see in store or on our electronic media. We can then get moving right away, or we can double-check your measurements with a home visit if you prefer.

CHOOSE THE WAY YOU WANT TO BUY YOUR KITCHEN AND THEN CHOOSE THE SERVICES YOU WANT TOO!

Our unique Full Circle Service package can take you through the entire kitchen buying process step by step, from start to finish. Alternatively, simply pick the services you need when you need them and use as much or as little of our Full Circle Service as you want to.



Our full circle service is as flexible as you want it to be

SMC gives you the freedom and flexibility to buy a kitchen at a pace that suits you. Things can move very quickly, or a bit more leisurely, depending on what you feel most comfortable with. It's entirely up to you.



HOME SURVEY

- Whether you have half a million to spend, or five million, SMC can create a dream kitchen solution to match your budget.
- Our service can start with a home visit by our team. They will take accurate measurements and get an idea of what you want from your new kitchen.
- Or, if you've already brought us your measurements for an estimate we can double check the measurements if you want us to.
- Our team will take care of everything and be your point of contact at all times to give you complete peace of mind.

SMART DESIGN

- Our designers only design kitchens, which makes them kitchen experts and very aware of the latest trends, technologies and design possibilities.
- Whether you've already provided your own measurements and had an initial design, or we've been out to your home to measure up, we'll create your kitchen design based on all the information we've gathered.
- Using the latest 3D software, our designers will create a computer generated image of how your kitchen will look from every angle.
- And remember, all this can be done at a pace to suit you.

PERSONALISATION

- Once you have agreed your kitchen layout, we can begin to explore ways of enhancing and personalizing your kitchen.
- We have hundreds of ways to make your kitchen really 'yours', including a huge array of worktops, innovative appliances, ingenious storage solutions, lighting and tiling.
- Unlike other kitchen retailers, SMC service is designed to cater to your individual tastes and needs. As a result, no two SMC kitchens need ever be the same.

MADE-TO-ORDER

- Every SMC kitchen is made-to-order to our personal design specification, to ensure that it meets your exact requirements.
- Our state-of-the-art manufacturing plant is the only one of its kind in the country and we will only begin to make your customized kitchen after your order has been placed.

INSTALLATION

- Our installers are selected and monitored to make sure that they are trustworthy and reputable.
- Our installation service starts with a pre-fit technical survey to ensure we really understand what your installation will entail.
- SMC's approved installers know our kitchens inside out and will ensure that your kitchen is installed with careful precision and will always tidy up on completion.
- Once your kitchen is installed, your installer will ensure you workmanship guarantee.

WARRANTY

- After installation your designer or you can check your home to see that you are completely happy with the installation. In the rare case of a problem occurring, your designer or you can inform us we will resolve this as quickly as possible.
- You will then be given your one year full comprehensive warranty included parts and labor for complete peace of mind.
- This means you have nothing to worry about, just a wonderful new SMC kitchen to enjoy.

SMART CARE

- If you choose SMC to install your kitchen, we can visit your home after the installation to conduct your Smart Care check.
- We'll carry out a thorough check to make sure your kitchen is looking and performing exactly as it should be.
- You will be given a written report and useful advice on the ongoing care and maintenance of your kitchen.



 **smeg**
technology with style

Technology with style.

Style, for Smeg, is a distinct concept: the way a product communicates with its surroundings and enables users to interact with it. Attention to detail and design solutions bring homes that reflect the image of their occupants to life. With Smeg, appliances take centre stage in the heart of the home, a place where people can congregate. The kitchen integrates all of their functions and becomes a perfect, fully-equipped backdrop for those precious and enjoyable moments. Smeg's internal design studio, which carries out painstaking research into aesthetics and style, has the support of internationally renowned architects such as Guido, Mario Bellini, the Piano Design studio, Marc Newson and Giancarlo Piretti. Knowing how to combine technology with style is the key for Smeg in creating products which become truly iconic.

**MADE IN ITALY**

BARAZZA

taste of design

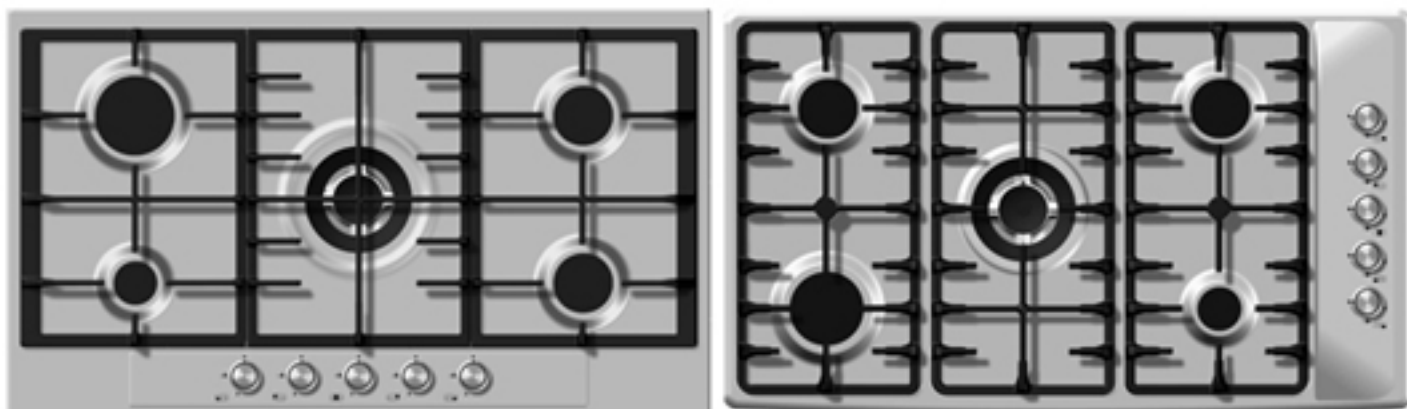
100% Italian thought and creativity.

Barazza is the result of an effort that has been lasting for fifty years and that it sinks its roots in a fertile entrepreneurial ground, on which, beginning from the second post-war period, it has been able to furnish a real culture of the appliance. Among the protagonists of this moment of development the Barazza brothers, from the end of the Fifties to head of a company that is grown in the time becoming a brand synonymous of quality and reliability. At the base of this success the choice of a superior material for sturdiness and hygiene: the stainless steel, sets to the service of the most advanced technologies to realize hobs, ovens and sinks for domestic kitchen.

Made-to-measure.

Barazza is the only home appliance brand which offers this service. Now you can customise your home appliances according to your kitchen. A collection of products made to measure dedicated an evolved and personalized conception of the kitchen space.

Almost 50 years of experience to the service of a line of products made to measure. Forty years of experience in the workmanship of the stainless steel, a qualified personnel and an highly and an elevated productive flexibilities developed for satisfying the applications of a market, more directed to personalized solutions, allow Barazza brand, synonymous for a long time of innovation, to introduce the line of washing and cooking products in exclusive edition. These products are thought to answer to particular demands about dimensions, functions and design, and are dedicated to users with the passion for quality and beauty, that live the kitchen as a space for expressing their creativeness.



MADE IN ITALY

APELL

Making luxury affordable.

Now Turning the economical kitchen hobs and appliances into an original and exclusive product, able to combine elegance and modern design with easy cleaning for daily use. Stainless steel as the unquestioned protagonist of our products, our experience with this metal has allowed us to gain precious knowledge that is currently one of our strengths. Recently, we started combining steel with trendy glass surfaces, coming in several shades, which perfectly match out typical features in terms of cleaning, hygiene, design and elegance. Apell managed to provide increasingly new and reliable solutions.



falmec

JUST COOKERHOODS

We have been making cooker hoods for over thirty years.

Thirty years of experience and daily commitment in order to offer you quality and attention to details, the best of European excellence. Thirty years during which we have developed know-how and experience that have enabled us to create a vast collection of products with outstanding personality. Thirty years during which technology and passion have merged, to offer you the best product possible. Thirty years which made Falmec's people true experts in extraction, and which make our products the epitome of cooker hood excellence.

E.ion[®]System

You'd expect your kitchen surfaces to be sanitised, so why not the air? Dust, pollen, pollutants, bacteria, they all have an effect on our immune system as we breathe them in. However, Falmec has a solution for cleaner, fresher kitchen air. The new E.ion System cookerhoods combine a powerful extractor with an air purifier. The innovative technology mimics natural air purification processes to sanitise the air, so not only are grease and cooking odours removed, but you'll be breathing in pure, fresh air. You'll know as the leaf indicator turns from orange to green. Choose from a selection of unique designs to suit your kitchen.



Organizers and Accessories

The things that matter.

The subtle ways and means to increase the functionality of life, incorporated into your surroundings, enabling your setting and giving you a variety of solutions that meet the needs of everyday.

We offer a wide range of products and accessories that make cooking, storage, washing and all your needs in life as easy and resourceful as possible. With our imported brands producing the very best in cost effective, innovative and equally decorative products, distinguished for attention to detail and unique designs, acclaimed for quality, reliability, energy efficiency and safety, the daily chores and work around the house becomes simple and enjoyable. Choose from a variety of household appliances and accessories that cover everything from the kitchen to your home garden.



Rejuvenate and cleanse.

Our concept of bathroom goes beyond the conventional... we invite you to indulge in lavishness and pamper yourself in the privacy and luxury of your own sanctuary.

With a fine selection of tiles and world-class brands Versache, Gardenia Orchid, Cerdomus and Supergres, our bathrooms are expressly designed keeping your partiality in mind, may it be preparation, recreation, rejuvenation or relaxation. Introducing the best sanitary ware and exclusive fittings, we aim to enrich your life with a range of amenities that fulfill your every need from faucets and thermostats, showers and shower systems, sanitary systems and faucets for public usage to an array of washbasins, WCs, urinals and bidets.



VERSACE
HOME

Tiles for bathrooms.

Versace Tiles turns your home into a space which has to be experienced. Here design, fashion, creativity, art and nature come together, blending to create a perfect combination, a harmonious fusion of the rigor and the seductive personality of the surface. The conjunction of opposites is the winning formula of the Versace Home, whose main sources of inspiration is neoclassic, baroque and ultra-modern create an everlasting flow of unexpected harmonies. The essence of the Versace style runs through a series of strong, captivating suggestions, whose uniqueness combines the appeal of precious materials with a strong taste for vibrant colors and bold ideas.



CERDOMUS

Strong is beautiful.

Technological innovation, dynamism, product research, a passion for design and working in partnership with builders and designers: for over forty years Cerdamus has projected made in Italy style and quality on the international markets. Cerdamus is a leading producer of vitrified stoneware tiles whose manufacturing expertise and consolidated technological know-how make it a company capable of setting trends in contemporary interior design, building partnerships and working with designers, offering products which are at the vanguard of technology, and winning the preferences of clients all over the world.



CATALANO

The essence of ceramics.

CATALANO, since its foundation, has always pursued the technological, typological and formal research, with the aim of constantly improving performance and technical quality of its products. Catalano uses first-choice pure raw materials only, without addition of any substance or preparation categorized with toxicity, harmfulness or risk level. Catalano WCs, in accordance with CWE mark, are able to flush with very low water volumes. The extensively research on surfaces continuity and the use of new Nano-technological glazes – also applied on hidden areas – avoid the stagnations of water and make the cleaning easier, while reducing the use of water and detergents. Water-saving is the guiding code followed throughout the manufacturing process of Catalano's production.



VitrA

Quest to create total bathroom.

Create complete living spaces that rival all other human environments in comfort, cutting-edge technology and aesthetics. All of which means VitrA turns bathrooms into beautiful experiences. It's about creating an enjoyable experience by changing our perception of, and thus our interaction with, the bathroom. Developing innovative products for unique bathroom experiences and an expansive range of tiles with a full commitment to sustainability. That's one of the main reasons for VitrA's rising success as an inspiring brand in various countries around the world. As a brand which combines superior design concepts with cutting-edge technology to redefine our relationship with water, VitrA's quest is to become a primary source of "new pure ideas" for both world's most fastidious professionals and end users.



GROHE

Love at first touch.

The bathroom is now a place for rejuvenation and relaxation and a real pampering zone. Whether it's a quick energizing shower first thing in the morning or a long, lingering candlelit soak before bed, our extensive range of brassware, showers and accessories will let you create the bathroom of your dreams. By combining superior technology with a choice of breath-taking designs, GROHE can provide you with all the elements to enhance your bathing space. An extensive portfolio of showering solutions, bathroom accessories and flush plates complement our fittings collections – enabling you to create a cohesive design scheme in your bathroom. SMC has the complete collection of Grohe products and are the authorized dealers of Grohe in Pakistan.



APPOLLO

Sense of touch.

Start with the world, specialized in design and manufacture steam cabin, sauna and massage bathtub. Top shower, bathroom furniture, ceramic ware and other high-tech enjoyment sanitary ware products. Appollo, a leading brand in Chinese high-grade sanitary ware industry. "The classical tradition for a new living world" as the brand development concept the first to combine western leisure sanitary ware style and technology with sanitary ware function and aesthetic design which is suitable for China's affluent. Beyond general sanitary ware functions, making bathroom a place full of sensual pleasure, keeping our entrepreneurial philosophy "Detail decides success or failure and to pursue exquisite forever". Blending eastern and western art aesthetic essence, constant self innovation pleases science and technology. Adhere to high enjoyment, high quality, high value added brand concept, aims to become the first brand in integrated sanitary ware with enjoyment!



Stand to sustain.

It is our responsibility to sustain resources and employ the beauty and wealth bestowed upon us to make a bright future possible. Keeping this belief in mind, we partner with world class brands that embrace the principles of sustainability and translate those benefits to bring the best into your lifestyle.

Be it the cool touch of porcelain tiles or the tread of wooden, solid wood, laminated or parquet flooring, our custom selections are crafted to fit and fill your space with smart and trendy styles, designs and accessories.



CERDOMUS

Creative Tiles.

Our tiles offer exceptional flexibility as they can be used in a vast range of applications: indoors and outdoors, in private homes and public buildings. They are resistant to extreme atmospheric conditions, to chemical products, fire, flooding, humidity, variations in temperature and UV radiation. All these qualities make them ideal for use in situations exposed to severe environmental stress.

As a hygienic product, they are ideal for use in sterile environments. They do not absorb odours from smoke or fumes from paint and other contaminant substances, which means they help improve the air quality in interior environments.

They're simple to maintain: hot water and pH-neutral detergent are all that's needed to clean them. Ease of maintenance means reduced costs for the consumer.



VERSACE
HOME

Tiling for floors and walls.

A tile designed to make each living space unique. The soft sheen of the surfaces and the richness of the decors express the sophisticated and modern character of the new Versace home. Versace Tiles defines new life styles. Glimpses of the decoration can be seen in the midst of the reflections on the surface and reveal the elegance of the material. Evocative atmospheres and extraordinary light patterns for tangible emotions, all to be experienced. Surface tiled with Versace Home tiles stand out for their natural shading in colors. The pigment mixing technology has been specially studied to give shading effects which vary from piece to piece enhancing the natural appearance of stone.



GARDENIA ORCHIDEA

Spirit of today and hints at the style of tomorrow.

Since, the ceramiche gardenia orchidea group has been developing its own concept of living, a winning choice that has made the company a by word for Italian style, excellence and quality in the countries where it operates. Gardenia ceramics are the result of in-depth research into materials, finishes, and decorations; the company's technical staff and product managers work side-by-side with architects and designers. The home is the true focus of Gardenia's R&D work, creating products that are always designed for a very specific kind of living space. These ceramics embody new tastes and new concepts of space, following the path of architecture. The use of highly textured natural materials like wood and marble, and the redefinition of space through the uniformity and continuity of glass and metal surfaces are trends that Gardenia has captured and translated into new ceramics.



SUPERGRES

Contemporary minimalism.

Ceramiche Supergres, a well-established brand and part of the gruppo concorde, the leader in the production of ceramic tiles, is a dynamic and streamlined company, which looks upon innovation as a key tool to meet, in real-time, the needs of evolving trends and styles. A special attention towards the market that, together with innovative technologies, avant-garde research and the large investments made by the gruppo concorde, has allowed Ceramiche Supergres to translate the customer's needs into high-quality solutions and flexible and personalised services.



kronopol
Swiss Krono Group

Swiss quality and roots.

We are one of the largest manufacturers of boards and wood-based products in the world. We are happy to provide you with the highest quality and environment friendly product that we manufactured with our high technologies at Kronopol. We believe you will be enjoying the comfort of Kronopol Laminate Flooring for many years to come. Kronopol guarantees that the surface of floor panels will not wear off during 10 years from date of purchase in residential applications and during 3 years in commercial applications if used according to conditions.



KOMODOOR

Solid wood flooring.

Komodoor is proud to introduce you to our newest line of tropical red hardwood products from the islands of South East Asia. Our beautiful line of exotic kiln dried hardwood products is set apart by its quality of craftsmanship, service, and most of all by the most beautiful hardwoods in the world. Komodoor products are all handcrafted of the finest tropical hardwood available, ranging from the pronounced heartwood olive/yellow streaks of natural growth teak to the tight grain burgundy of tropical Manila.



ITLAS

100% Made in Italy certified wood.

To melt and blur with nature in order to get in touch with your inner self and feel complete - this is the new shared need, the necessity that mankind has and wants to have to be able to re-establish their own interior balance. A sense of wellbeing desired and to be conquered which is not a temporary fashion trend or a modern scientific discipline, but on the contrary is becoming more and more the thread of architecture and design at universal level - and above all, a lifestyle. Deception is of course there, around the corner: it's easy to say biological, but mankind's real need now goes beyond appearance and does not accept to build and furnish their own house simply in a perfect eco-friendly "style". The new generation consumer-client demands guarantees, asks for certified quality of the product to purchase, they request architecture and design which really have the ability to integrate with the environment where they live and most of all with the surrounding ecosystem. Wood is an integral part of this lifestyle. To speak of wood is to speak of nature and respect for the environment, because it is a raw material that regrows continuously and its use increases a renewable source with its own well-defined biological cycle. Itlas Spa was born from a very clear choice, for itself and the final consumer: an eco-friendly project with total guarantees. People who choose Itlas floors are sure to carve themselves an active position in the safeguard of the environment.



ITALIAN WARDROBES

You own your space.

Your memories and possessions the new dress, those boots, the comfy sweater or your favorite tees, your space is primary to the person you are and your personality and preferences are what we reflect in our fine Italian wardrobe designs and accessories.

Make a selection as you prefer or make use of our resourceful in-store assembly service to make your storage space meaningful. Big or small, our Swing-Door, Walk-In and Sliding wardrobes are the fusion of modern technology and expert craftsmanship. We offer the most articulate designs and styles you can find. With countless features, colors and accessories to complement every aspect of your person, our select line makes your space count.



Swing door wardrobes

Organize yourself.

Perfected with practicality and presented with flair, our Italian line offers modern Swing-Door wardrobes that come in a range of designs, colors, options and extra accessories from racks to lights that fulfill your every need.

With eye pleasing designs, beautiful colors and unique appendages, our Swing Door wardrobes are sure to please your eyes and complement your surroundings with the convenience of giving you a spacey feel and all the room to keep your belongings organized. Everything you could ask for can be included and additions can be provided at your demand.



Sliding wardrobes

Slide to enter.

Our Italian Wardrobe line offers the most stunning and stylish Sliding-Door wardrobes in glass, mirror, lacquer and wood options, designed and customized to suit your space and style. High quality products and services included, we make sure your wardrobe is designed and built to stand the test of time and keep you satisfied with your choice.

Perfectly smooth doors and panel finish with any accessory you opt for, is why we have a range that will not leave anything to desire, with colors, customizations and attachments to go with space options and many other details that make sure your space is made exactly for you.



Walk in wardrobes

Your own space.

Luxurious, convenient and organized, our Walk-In wardrobes are tailored to perfection and come in styles and visuals that will charm and inspire you. Walk in and feel the spacious layout, drink in the colors and designs that will make you smile every time you open the doors and experience a rush.

Along with our options for Walk In wardrobes, we consider your space requirements and needs to devise the perfect solution that matches your diversity and allows for a structured area to be built that will make you realize the convenience, style and grace that you always wanted.



ITALIAN DOORS

Gateway to your world.

The inception of our Modern Collection attests to the beauty and grace that our custom Italian doors bring to your home. The expertise and craft, research and technology combined to develop the finest line of Italian doors with unique designs, stylish texture components, glass options and material applications that will enhance the aesthetics of your setting.



KOMODOOR

Welcome to Komodoor

Komodoor is proud to introduce you to our newest line of tropical red hardwood products from the islands of South East Asia. Our beautiful line of exotic kiln dried hardwood products is set apart by it's quality of craftsmanship, service, and most of all by the most beautiful hardwoods in the world. Komodoor products are all handcrafted of the finest tropical hardwood available, ranging from the pronounced heartwood olive/yellow streaks of natural growth teak to the tight grain burgundy of tropical Manila.



LIGHTING AND FANS

Call for comfort.

The familiarity and warmth, the air you feel about your home is the form of expression we put in art for you. We pride ourselves for the trust we have built with our loyal patrons and you can depend on us to provide the best. With innovations engaged in bringing you the key to adapt the setting to your mood, the brands we offer come with the assurance of perfect functionality, performance and reliability. What feels perfect is where we come in, our exquisite collection of lighting and fans are your passage to the perfect setting.



Chandeliers

Picture of perfection.

A luxury statement, chandeliers add flair and character to any house. With a vast collection of imported brands and the level of product quality that defines standards, our Contemporary, Classic, Grandeur and Deco collection are sure to appeal to your senses and give you the perfect option.

Our chandeliers come in diverse sizes and designs that will make any room in your house stand out and be noticed. The brilliance, uniqueness and quality of our products is unmatched and you can't find a better substitute at the cost we offer for the fine designs, colours and variety we have.



Ceiling Lights

Lighting up your world

With a host of brands acclaimed for their innovation, quality and reliability... our selection for indoor and outdoor lighting covers any aspect of life and living.

May your need be commercial, industrial or residential, we provide integrated systems and day lighting solutions for the ideal luminosity, be it day or night. Beauty and the perfect illumination combined with the needs and demands of today, your lighting solutions are provided for. With colors, fixtures and multiple options that suit any part of your home whether it be outside, inside, lounge or bedroom, you can count on us to have the best for you.



LED lighting solutions

More for less.

Saving energy is a great cause for concern in this day and age, and with the element of efficiency along with the need to sustain, we bring you imported LED lighting systems and products that provide high quality lighting for the least power consumed.

A conventional light-bulb that can take up to 40 watts of electricity doesn't compare to the highest quality, low energy LED lights we provide which only take a fraction of the power and generate the kind of lighting that you will notice every time you switch on.

With innovations and new products being developed for any number of purposes, our imports are sure to make your world bright. Saving energy is a great cause for concern in this day and age, and with the element of efficiency along with the need to sustain, we bring you imported LED lighting systems and products that provide high quality lighting for the least power consumed.



Hunter
SINCE 1886

A breath of fresh air.

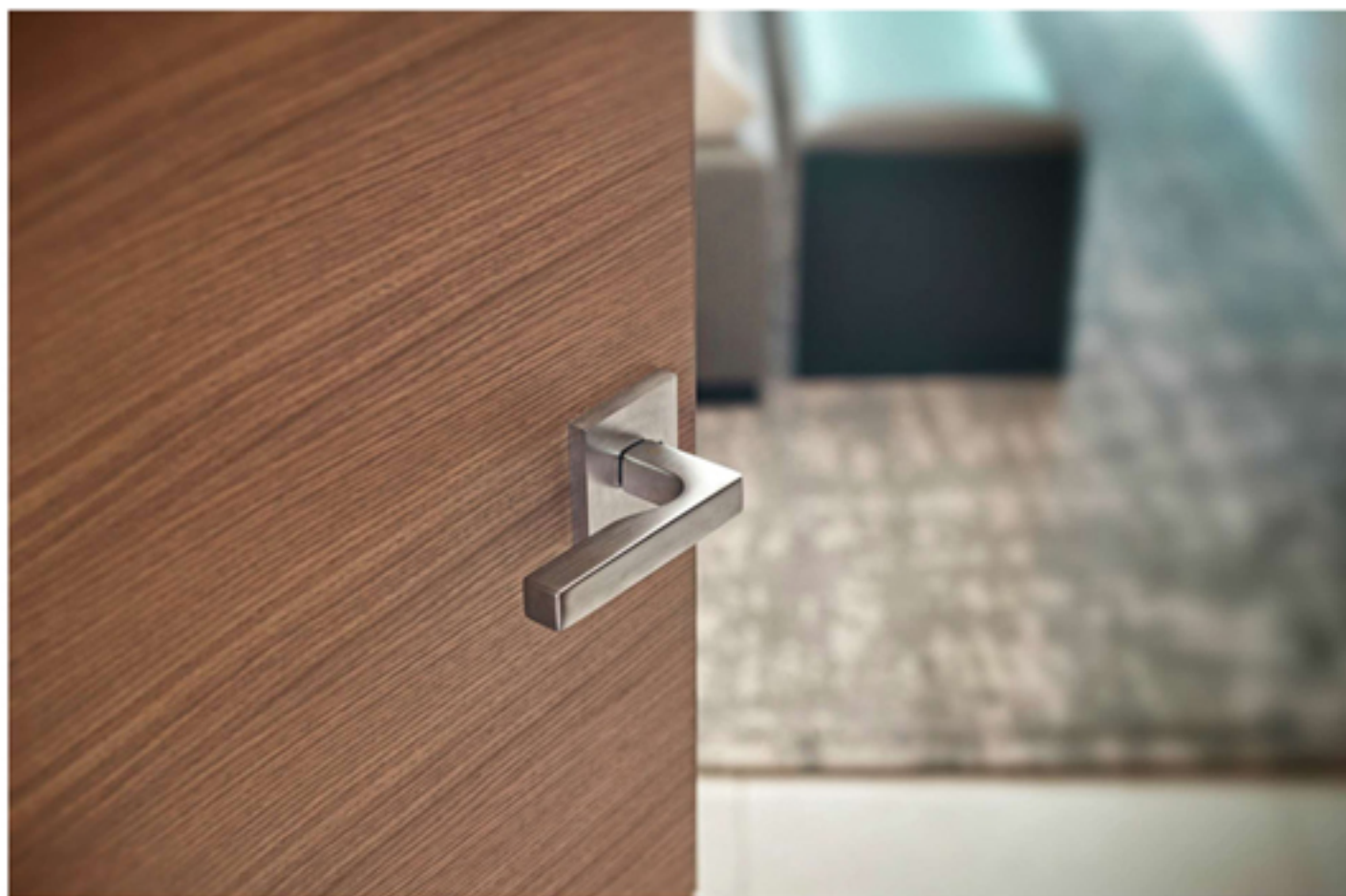
The Hunter Fan story stretches across the turn of two centuries, two world wars and the Great Depression. The company traces its origins back to 1886, when John Hunter and son James C. Hunter created the first water-driven ceiling fan in upstate New York. Before long, Hunter Fan Company was shipping these rugged fans with hand-weighted and balanced blades by the boatload to India, the Far East and Africa as well as across the United States. Today, we continue to combine 19th century craftsmanship with innovative design and technology to create air-movement products of unmatched quality, style and whisper-quiet performance. Products that are as tough on the inside as they are beautiful on the outside. Products that John and James Hunter would still be proud of more than 120 years later.

HARDWARE



All about you.

Things that last are the things that matter, the detail and love put in the finishing touch should stand out and endure the test of time and use. The time, cost and consideration you devote in selecting the right fit, whether it be door locks, handles, hinges, furniture or glass fittings, is why our selection will leave no doubt as to what your final choices will be. With high functionality, security and convenience served in smart, modern and elegant designs, our brands come with the quality assurance that we promise to deliver.



MANDELLI

Handels for doors and windows.

Luxury handles for doors and windows. Mandelli continue to offer worldwide a true unique Italian product. A new passion, provided as always with care and quality. The Company's success is based on the way we mean our business: individual creativity and professionalism meet to create innovative and original product to make better the environment where we live. We deeply believe in our "Made in Italy", expression of the Italian talent and manufacturing efforts, appreciated all over the world.

We have very well defined ideas on aesthetic and fabrication, that leave space to no compromise: we are one of the very few companies that, in cooperation with the most popular interior designers, still manufacture their own products entirely in Italy. This from the very beginning of our fabrication: the raw material we use is first quality Italian brass, melted and cast in our factory. We pay our utmost attention to product finishing and quality control as well as to final packing.



Coba

Made in Spain.

Our company was established in 1971 with the aim of producing decorative handles for doors, windows and furniture, by using, to do so, brass as the only raw material. What it used to be a small craft workshop becomes, at present, a modern enterprise, equipped with fully automatic machines, based on robotics and computerized systems which set in motion the manufacture process on the basis of the most updated techniques, being, thus, the final outcome a product of top high quality.



 **Valli&Valli**

Since 1960.

V&V includes handles from classical and traditional design till modern lines. The models V&V vary from minimalist to decorative styles; they are developed by Valli workshop as well as by architectural studios. They are mostly manufactured in brass. V&V door handles are manufactured with handcraft care and they are treated to grant the best durability. The long time tradition of the Company achieved through significant investments both in research and craftsmanship was turned into the ability to offer a wide range of innovative and high-design products.



OLIVARI

100 years history.

Since 1911 Olivari has been manufacturing handles at its own factories in Italy where the entire production process takes place. Starting with brass billets, the handles are forged, milled, polished, buffed, chrome-plated and hallmarked with a laser. Olivari has attained ISO 9001 and ISO 14001 certifications. Though it uses the most advanced technology, Olivari preserves all the artisanal wisdom it has accumulated in 100 years of history.



The passion of our work is rooted in the traditions.

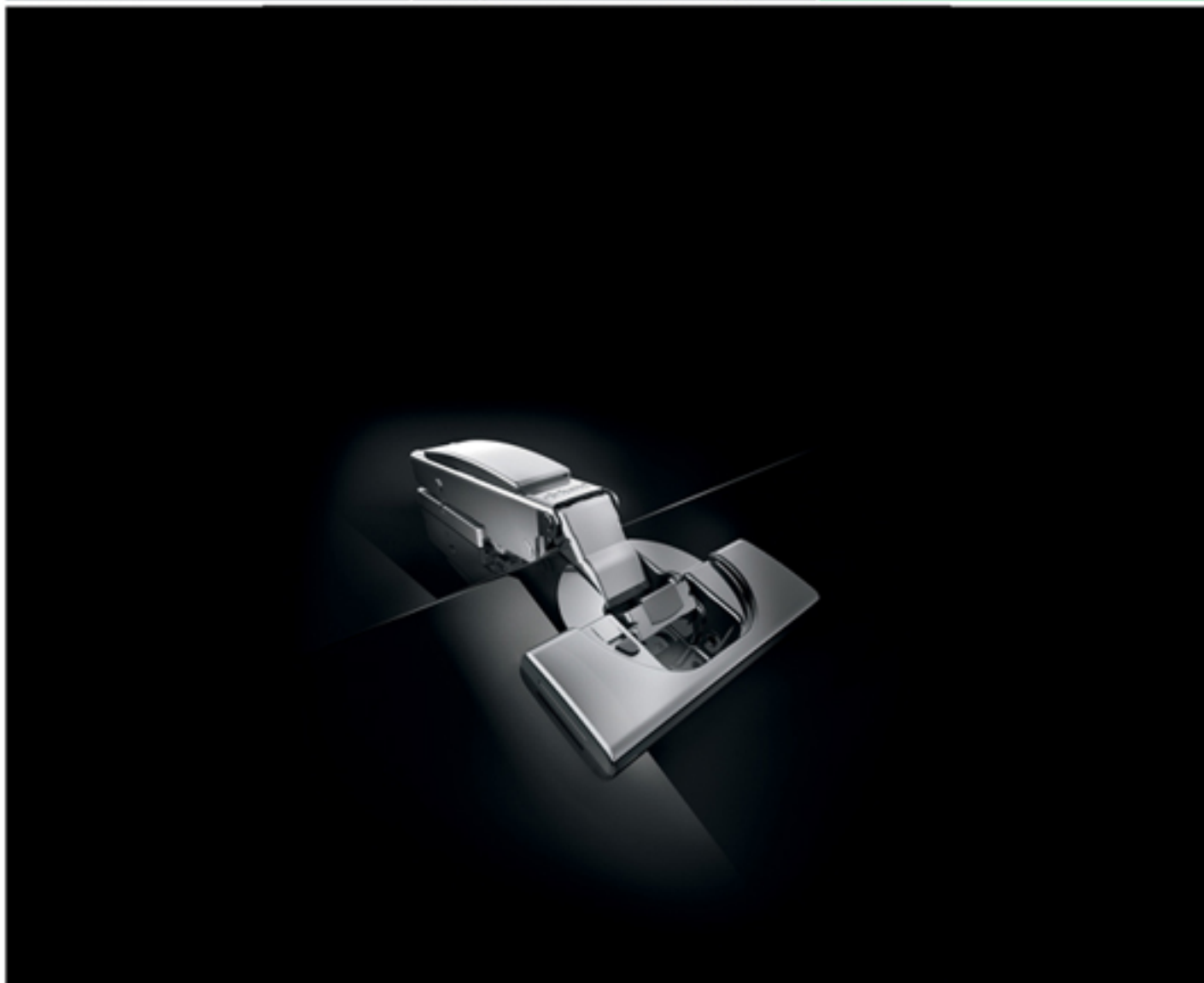
Welcome to Danco, the leader factory in hinges and furniture, following its products from design to production and customers, providing innovative and fast solutions and production times, and delivery times. Competence and attention to details are at the heart of our philosophy. We believe in technological innovation and we always keep an eye on the market for new trends and needs. We strive to provide our customers with high-end products at the best possible prices. Finally, we believe in Italian quality, with all of our products manufactured in Veduggio (Milan).



COSMOV

Made in Italy.

Innovation, attention to detail, and genuine 'made in Italy' quality are defining characteristics of COSMOV, an organization always prepared for the demands of the constantly changing international market. Both production and organizational experience and staff development contribute to their success in producing handles, knobs and other accessories for furniture retailers and manufacturers who deal with select items that are covered by international patents. COSMOV shows itself to be both trustworthy and dynamic with internal planning and prototyping that allow for personalized solutions to clients' numerous and unique requests.



 **blum**[®]

Mesmerising motion.

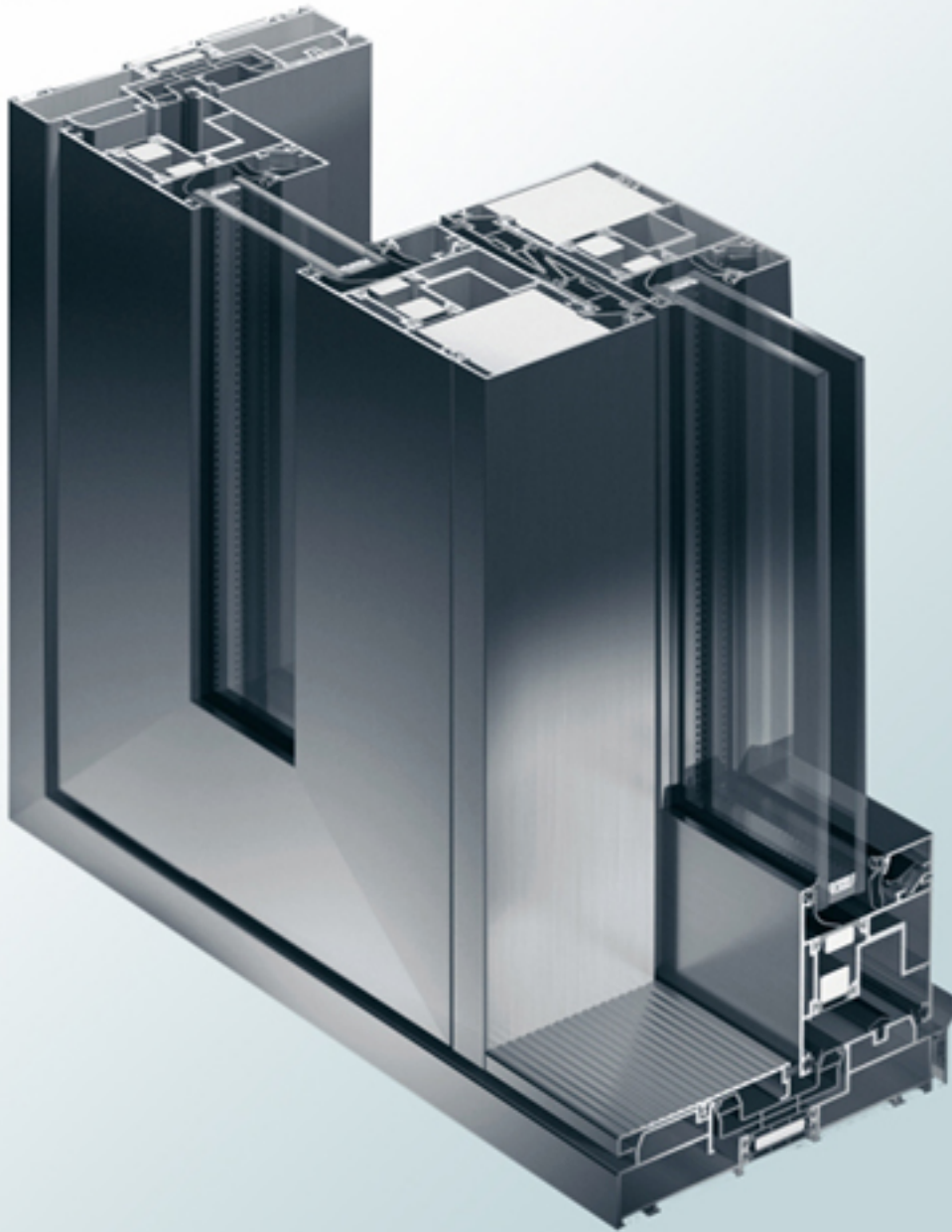
Blum is an international company that specialises in the production of functional furniture fittings. The company's main product groups are lift, hinge, box and pull-out systems for furniture - in particular for kitchen furniture. Blum writes motion with a capital "M". Our fittings solutions make opening and closing furniture a mesmerising experience and bring enhanced user convenience to the entire home. Geared towards kitchen users. Our goal is to make kitchen users satisfied on a long-term basis. That's why we focus on their needs. According to Blum's philosophy of global customer benefits, everyone who makes, sells and assembles furniture should, however, also benefit from Blum fittings. Blum produces an extremely high standard of quality. Blum products have well-thought-out function, award-winning design and a long life.



The logo for KOLF, consisting of a stylized blue 'K' followed by the letters 'OLF' in a blue, sans-serif font.

Perfection is our passion.

KOLF hardware was established in 1997. With capital participation from HongKong, it is specializing in various ornamental hardware, such as patch fitting, shower hinge, SS handle, glass fitting, luxury door locks and precious cylinder, etc. In its infancy, we applied ourselves to developing different kinds of hardware products so as to answer the demands of different markets. The product is sold world-wide and it's very popular to our customers; it is widely used on all kinds of shopping mall projects and residential projects; more-over, it has won good public praise all over the world. To fit in with the market development, we cooperated with a floor spring hinge factory of Guangdong Province in 2003, which is specializing in high-tech products in high quality. We cooperated with each other closely and made a lot of good products, such as floor spring hinge and door closer. After launching into the markets, all these products are in great demand progressively owing to the high quality. We'll carry forward the fine traditions continually in reward for support from our customers.



ALUMINIUM MANUFACTURING

Made to innovation.

Ease, accessibility, grace and durability come with our claim of reliability. We provide self-manufactured aluminum products that add charisma to your home. With one of the largest and most efficient manufacturing units equipped with anodizing and excursion facilities, we produce the most excellent, high-quality material. Our aluminum sections, doors and windows are made to fit in slim and trendy designs, a touch of perfection to the beauty of your home.



Aluminium Windows

Excellence made to last.

Ease of use durability and style, combined to bring you our own line of aluminium windows that are crafted expertly, customized to fit and stand out in quality and finish, giving your home a fine look and suited to any size and frame requirement.

Our exquisite selection includes the largest variety of frames that come in variations and designs that cover every dynamic of urban architecture. You will find everything within our extensive range of Sliding, Fixed, Flap, Open able and Double Glazed windows as well as Power Coated windows and doors, Aluminium Claddings and Curtain Walls.



Aluminium Profiles

The standard for quality and commitment.

As one of the largest consummate manufacturers of aluminium products, we insure the highest standards where it comes to professional practice and employee training, teamwork and commitment to our values and mission.

SMC ALUMINIUM Co. (PVT) Ltd established in 1986 and refined to become one of the most modern facilities in the country, accounts for the efficiency and excellence achieved as the result of our dedication to produce the highest quality in an impressive range of industrial and residential solutions, along with our ability to implement projects from start to finish in design and manufacture to installation.



Aluminium Composite Panels

Structured for your way of life.

The strength infused in the construct of our surroundings holds together the fabric of a modern urban setting. With the demand for innovation and diversity in the dynamics of post-modernist architecture and construction in exterior and interior design and building, signage, automotive, green architecture and other specialized purposes, our Aluminium Composite Panels provide the reliable solution and cover every requirement.

Superior modern production capabilities give our products creative surface enhancement and excellent mechanical properties. Applicable on a number of surfaces and accurately adhering to size alignment in a variety of dimensions, our panels come with the benefit of being lightweight, high bending stiff or flat, weathering and warping, resistant to corrosion and easy to install.

SMC GROUP
locations country wide.



LAHORE

SMC GROUP SHOW ROOM

E-110 Main Boulevard, D.H.A Lahore, Pakistan.
Tel: +92 42 111 12 11 12
Fax: +92 42 36673725
Email: info@smcgroup.pk

SMC RETAIL STORE

Hardware and lighting.
445/1, Main Boulevard, D.H.A, Lahore, Pakistan.
Tel: +92 42 36677241-2
Fax: +92 42 3660190
Email: smc.def@smcgroup.pk

Hardware, Floors & Kitchen accessories.
113 Main Ferozpur Road Lahore, Pakistan.
Tel : +(92-42) 37502303-4
Fax: +(92-42) 37520305
Email: smc.ferozpur@smcgroup.pk

SMC GROUP SHOW ROOM

Kitchens, Home Appliances, Doors & Wardrobes
Bridge Shop No. 7/8, Fortress Stadium,
Cantonment, Lahore, Pakistan.
Tel: +(92-42) 36623032, 36685518
Fax: +(92-42) 36655363
Email: smc.lhr@livingconcepts.com.pk

SMC HARDWARE WHOLESALE STORE

48 Steel Market, Dil Muhammad Road,
Lahore-Pakistan.
Tel: +(92-42) 37631594, 37631486
Fax: +(92-42) 37220393
Email: smc.hardware@smcgroup.pk

Rahman Gali No.2, Brandreth Road,
Lahore, Pakistan.
Tel: +(92-42) 37631594, 37631486
Fax: +(92-42) 37220393
Email: smc.hardware@smcgroup.pk

WAREHOUSE

13 KM Raiwind Road, Lahore, Pakistan.
Tel: +92 42 35320193-4
Fax: +92 42 35320341

SMC ALUMINIUM FACTORY

6.5 KM Sheikupura Road, Lahore, Pakistan.
Tel: +92 42 37971692, 327970349
Fax: +92 42 37971691
Email: alum@smcgroup.pk

ALUMINIUM STORE

Shop No. 2 Live Stock Building, 16 Cooper Road,
Lahore, Pakistan.
Tel : +(92-42) 36367957
Email: alum.sales@smcgroup.pk

KARACHI

SMC RETAIL STORE - HARDWARE

Plot # 11-c, Flat# 2, Street 36, Phase 5,
Tauheed Commercial Area, Karachi, Pakistan.
Tel : +(92-21) 35374782
Fax: +(92-21) 35371615

ISLAMABAD

SMC GROUP SHOW ROOM

Kitchens, Home Appliances, Doors & Wardrobes
Darwaish Plaza, Shop# 3/4 D,
D.H.A Phase II Islamabad, Pakistan.
Tel : +(92-51) 5709218
Fax: +(92-51) 5709217
Email: smc.isld@livingconcepts.com.pk

FAISLABAD

SMC GROUP SHOW ROOM

67/68 Main Susan Road, Madina Town,
Faisalabad., Pakistan.
Tel: +92 41 8739711
Fax: +92 41 8732557
Email: smc.fsd@smcgroup.pk



Head office E-110 Main Boulevard,
D.H.A Lahore, Pakistan.

Tel: +92 42 111 12 11 12

Fax: +92 42 36673725

Email: info@smcgroup.pk

www.facebook.com/smcgrouppakistan.com

www.smcgroup.pk